



Self-Adhering Air & Water Vapor Barrier by IMETCO/UPI

Description

IntelliWrap™ VB is a self-adhering air & water vapor barrier membrane. It is composed of a tough multi-layer cross-laminated film that is coated with a rubberized asphalt adhesive. A release liner protects the adhesive and is removed as the membrane is installed.

IntelliWrap VB is intended as a multi-purpose waterproofing membrane for use in rainscreen, curtain wall, metal cladding, and subgrade applications, as a through wall flashing or anywhere it will be protected from long-term UV exposure. It adheres to most clean, dry substrates including metal, wood vinyl, masonry, ICF foundations, and rigid insulation boards. This advanced system bonds to the substrate and self-seals around nails, staples and other fasteners to prevent damage caused by water penetration.

Features

- Uniform thickness for dependable protection
- Self-seals around fasteners
- High strength, high elongation, flexible – accommodates expansion and contraction of the substrates
- Protects ICF foundations and insulation boards from damage during backfill
- Outer film surface is compatible with most construction sealants
- Eliminates leaks – multiple layers of protection seal out water
- Rubberized asphalt won't crack or dry
- Aggressively adheres – IntelliWrap VB sticks in cool weather to common building materials for ease of application and to eliminate movement of water under the membrane

Uses

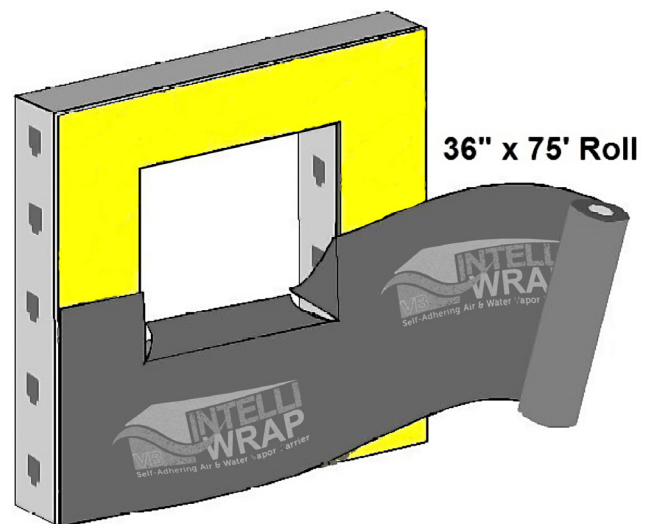
Use in rainscreen wall, curtain wall, foundation wall, parapet wall, pony wall, and metal cladding applications. Also effective for floor and planter waterproofing, under stucco, at head, sill chimney shoulder, pot shelves. Use for sealing SIPS building panels and around doors, windows and other potential leak areas. Waterproofs and protects ICF foundations from damage.

Technical Specifications

Installation Temperature Range	>50°F
Material Color	Black
Roll Widths	36"
Roll Length	75 ft
Carton Weight	60 lbs
Rolls per Carton	1
Area per Carton	225 ft ²
Cartons per Pallet	25

Performance Specifications

Property	Result	Test Method
Material Thickness	40 Mils Nom.	ASTM D 1970
Pliability	Pass	ICC-ES AC 38
Vapor Permeance	0.02 g/m ² in 24h Max	ASTM E 96
Water Resistance	>30 hr.	ASTM D 779
Nail Sealability	Pass	ASTM D 1970
Tensile MD	21 lbf/in	ASTM D 882
Tensile CMD	28 lbf/in	ASTM D 882
Air Permeance	<0.004 cfm/ft ² @ 1.57 psf	ASTM E 2178





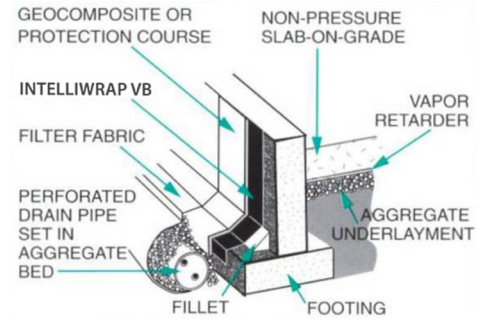
Self-Adhering Air & Water Vapor Barrier by IMETCO/UIP

Installation

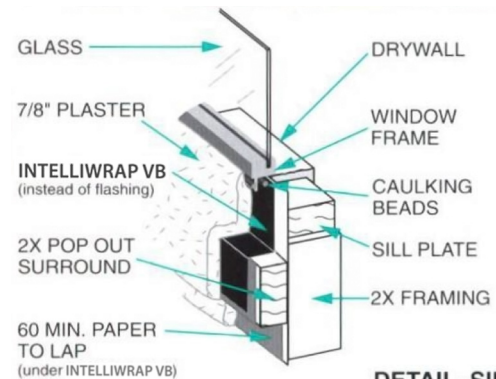
- Apply in clear, dry weather
- Surface must be clean, dry and free from oil
- Masonry must be clean, fully cured and primed with an asphalt primer
- Prime weathered surfaces and OSB as necessary
- Clean, dry wood and metal surfaces do not require priming
- Use 3" side laps and 6" head laps
- When applying on vertical concrete surfaces, a termination bar is recommended around the top
- Apply uniform pressure with a 2-3" hand roller to entire surface
- **DO NOT** install over solvent-based sealants unless fully cured – active solvents may liquefy bottom adhesive surface
- Installer is responsible for compatibility with caulks and sealants
- **DO NOT** install over flexible vinyl gaskets or uncured caulking
- **DO NOT** expose installed product to direct sunlight for more than 90 days

Approvals

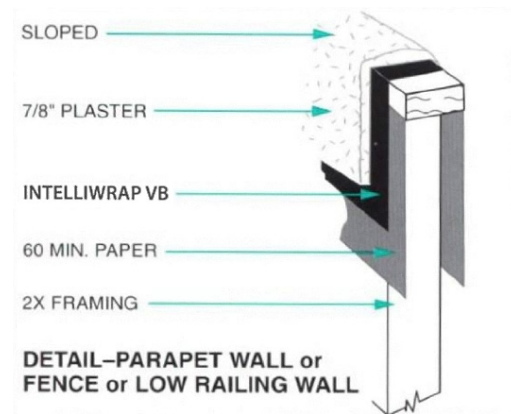
IntelliWrap VB is tested to ICC-ES AC38, ASTM, ICC-ES ESR 2783



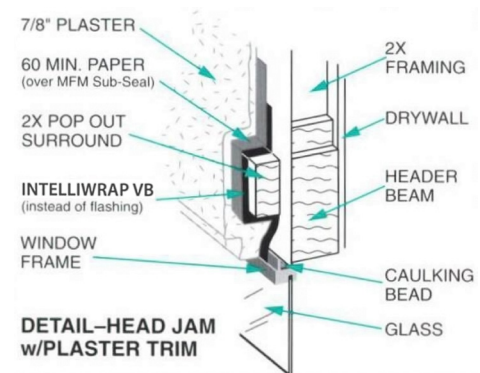
DETAIL-FOUNDATION WALL w/HYDROSTATIC PRESSURE RELIEF SYSTEM



DETAIL-SILL w/PLASTER TRIM



DETAIL-PARAPET WALL or FENCE or LOW RAILING WALL



DETAIL-HEAD JAM w/PLASTER TRIM